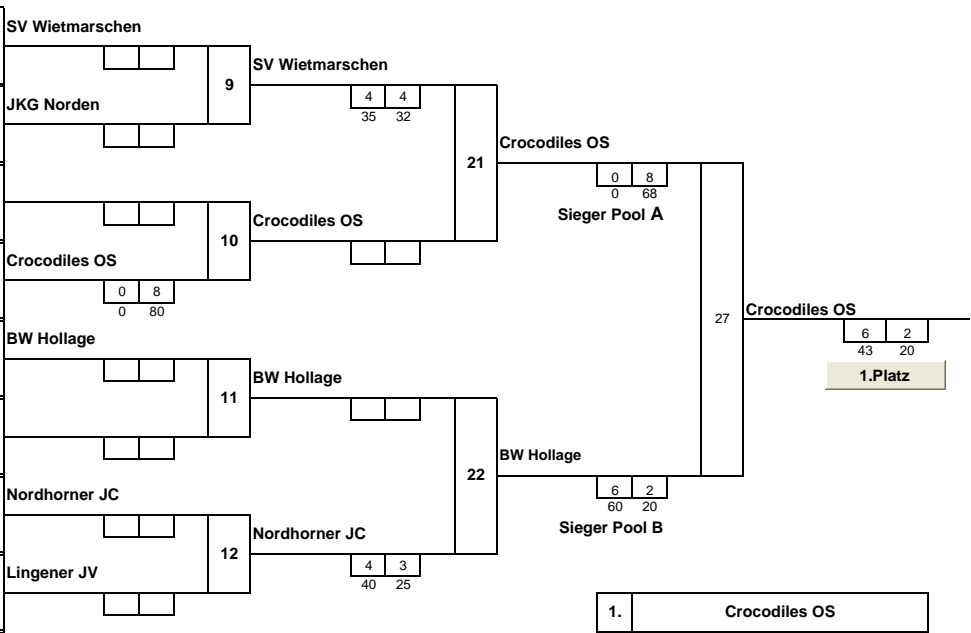


# BMM u14 männlich Wietmarschen 04.05.08

|    |                   |         |                 |
|----|-------------------|---------|-----------------|
| 1  | SV Wietmarschen   | Kampf 1 | SV Wietmarschen |
| 9  |                   |         |                 |
| 5  | JKG Norden        | 2       | JKG Norden      |
| 13 | JKG Norden        |         |                 |
| 3  |                   | 3       |                 |
| 11 |                   |         |                 |
| 7  | Brookmerlander JC | 4       | Crocodiles OS   |
| 15 | Crocodiles OS     |         |                 |
| 2  | BW Hollage        | 5       | BW Hollage      |
| 10 |                   |         |                 |
| 6  |                   | 6       |                 |
| 14 |                   |         |                 |
| 4  | Nordhorner JC     | 7       | Nordhorner JC   |
| 12 | Nordhorner JC     |         |                 |
| 8  | Lingener JV       | 8       | Lingener JV     |
| 16 | Lingener JV       |         |                 |



|    |                   |
|----|-------------------|
| 1. | Crocodiles OS     |
| 2. | BW Hollage        |
| 3. | SV Wietmarschen   |
| 3. | Nordhorner JC     |
| 5. | Brookmerlander JC |
| 5. | JKG Norden        |

|   |                   |    |                   |
|---|-------------------|----|-------------------|
| 1 |                   | 13 |                   |
| 2 |                   |    |                   |
| 3 | Brookmerlander JC | 14 | Brookmerlander JC |
| 4 | Brookmerlander JC |    |                   |
| 5 |                   | 15 |                   |
| 6 |                   |    |                   |
| 7 |                   | 16 |                   |
| 8 |                   |    |                   |

